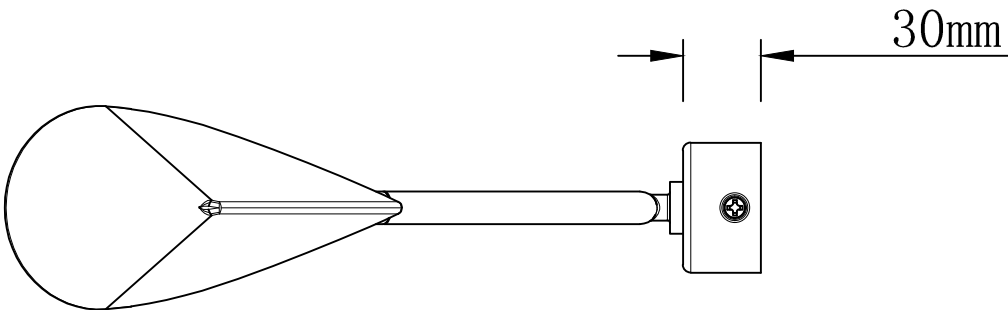
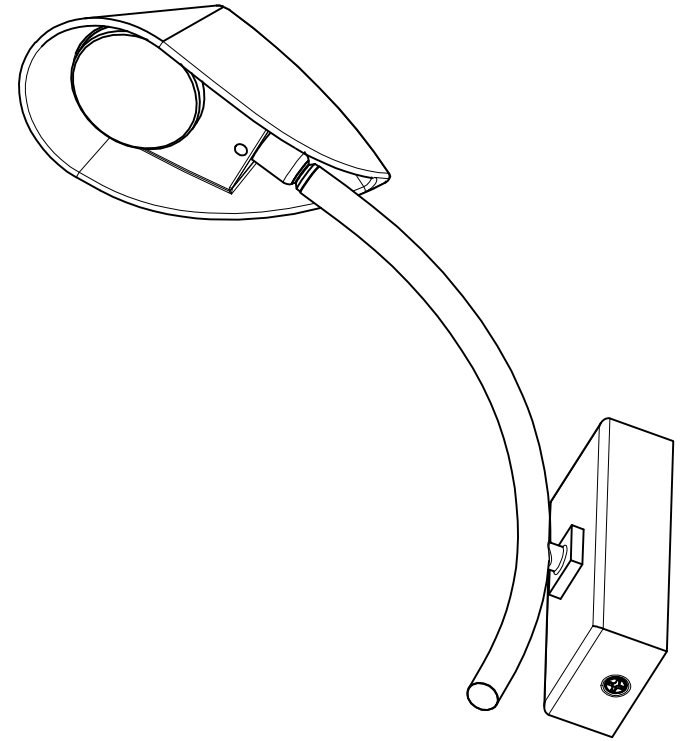
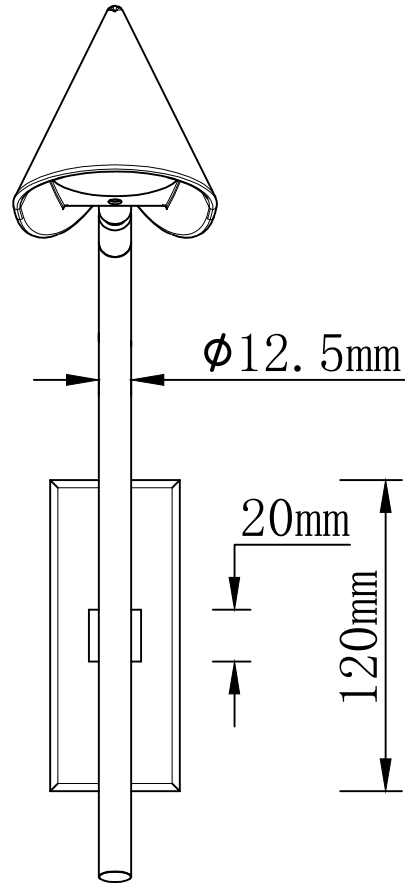
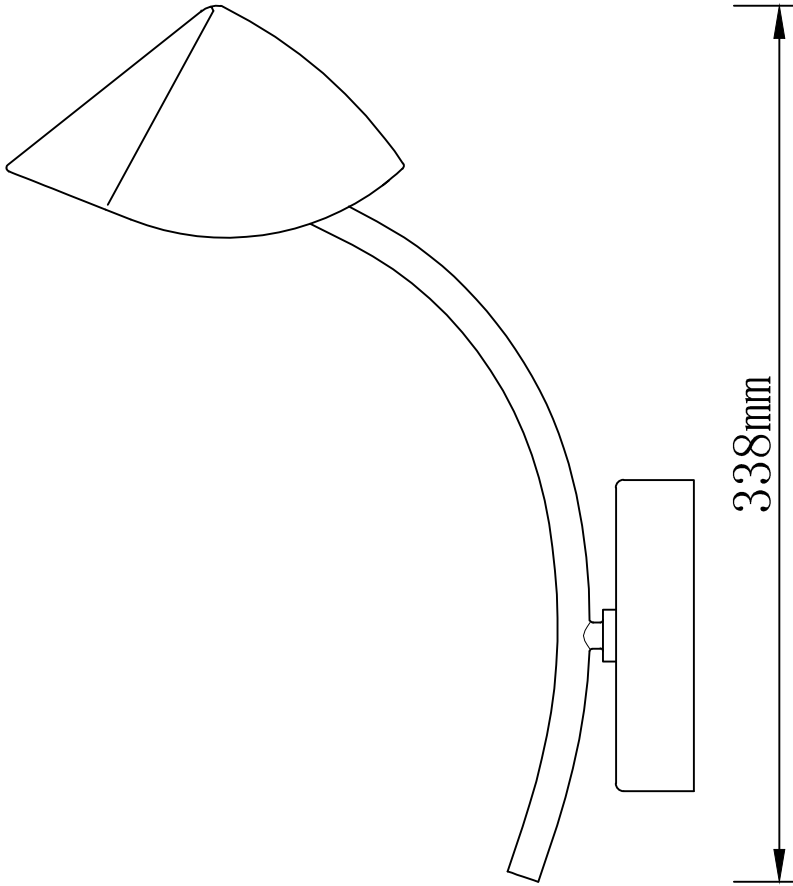


265mm



$\phi 12.5\text{mm}$

50.0mm

This diagram shows a top view of the lamp's base. It is a rectangular block with a width of 50.0mm and a diameter of  $\phi 12.5\text{mm}$  for the stem opening.

